

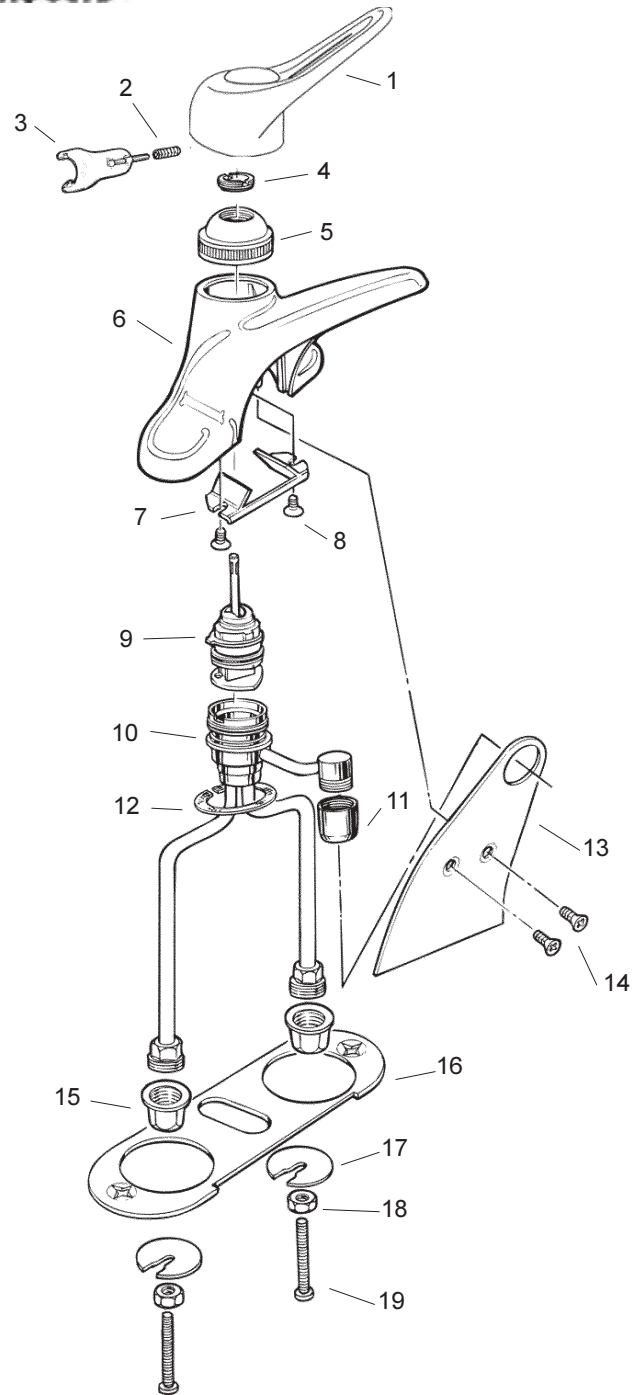


PARTS BREAKDOWN

Booklet No. 1-0185-9

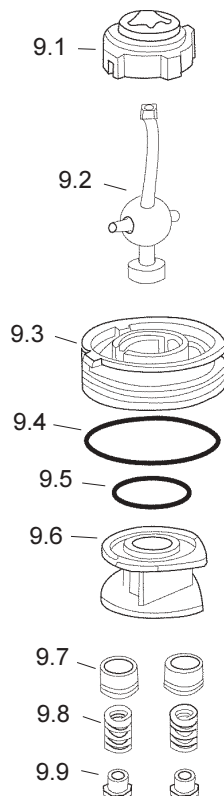
Single Handle Lav Faucets 4" Centers

Key	Part No.	DESCRIPTION
1	1101-9C	HANDLE
2	1201-9-2	SET SCREW
3	1201-9-9	SET SCREW TOOL
4	1201-11-1	ADJUSTING RING
5	1201-11C	CENTER NUT
6	1202-12C	SHIELD
7	1201-12-1	RETAINER PLATE
8	1202-15-2	SCREW
9	6-1201-5-0	CARTRIDGE KIT
10	7-1201-14-03	CENTERPIECE
11	50-19C	AERATOR
12	38-3	WASHER
13	1202-15-1	THROAT COVER
14	1202-15-2	SCREW
15	40-11-4	TAILPIECE NUT
16	1201-15	BOTTOM PLATE
17	1201-18	WASHER
18	1201-11	NUT
19	1201-7-2	SCREW



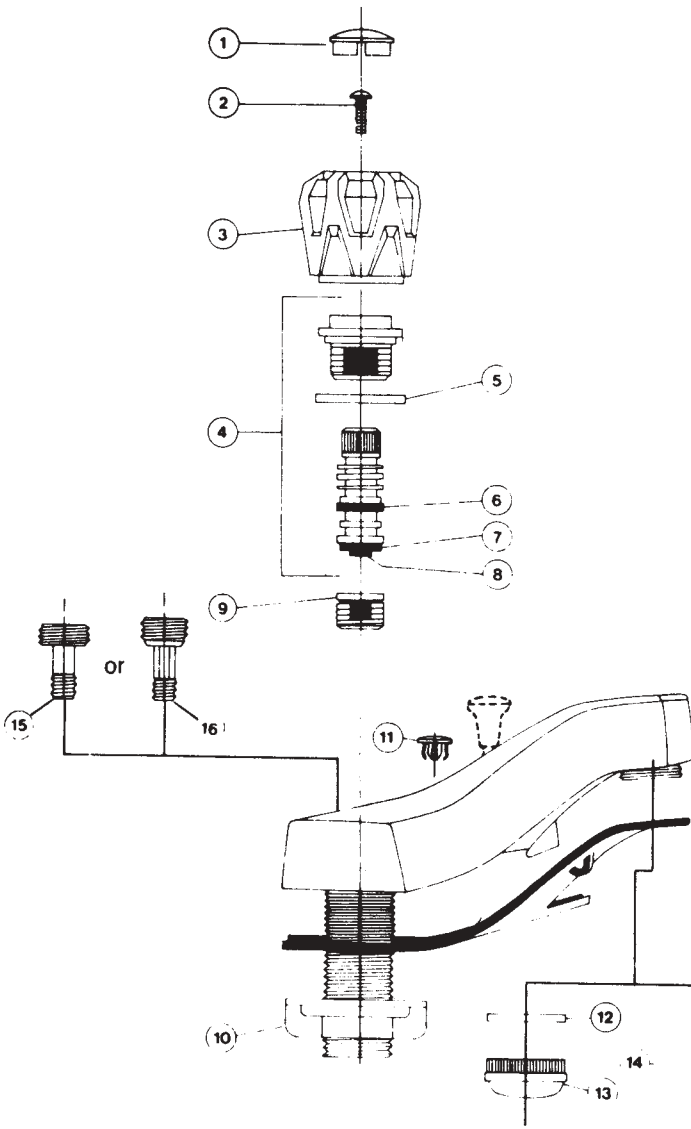
Cartridge Service Part List

Key	Part No.	Description
9.1	N1201-4-5	Ball Cap
9.2	N1201-4-0	Ball Lever
9.3	N1201-4-2	Ball Seat
9.4	48-7-6	O-ring
9.5	42-5-6	O-ring
9.6	1201-5-3	Bonnet Bottom
9.7	N1201-5-2	Seat Washer
9.8	1201-3-4	Spring
9.9	1201-3-1	Spring Insert



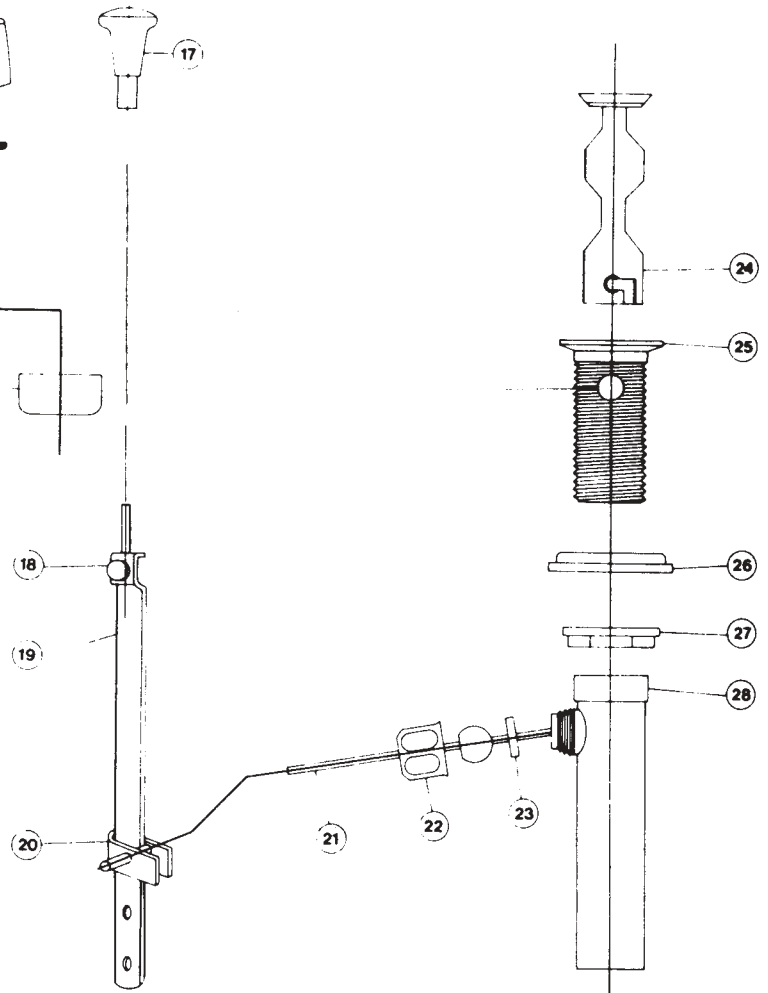
Lavatory Faucet and Lavatory Diverter—4" Centers

Key	Part No.	Description
1	40-16	Button, Index Clear (H or C)
2	40-2H	Screw, Handle
3	6-40-9-16	Handle, Clear (H or C) with Button and Screw
4	41-5-0	Stem and Bonnet Assembly
5	40-3-1	Washer, Bonnet
6	40-6	"O" Ring, Stem
7	40-3-2	Washer, Seat
8	40-2 S	Screw, Seat Washer
9	40-1	Renu Seat (Lav. Faucet)
10	40-11	Locknut, 1/2" Plastic
11	40-12-16	Button, Shield (Lav. Faucet)
12	50-13-3	End Trim Washer
13	6-40-13-0	End Trim Assembly
14	50-19 C	Aerator
15	44-13	"D" Spud (Lav. Div.)
16	412-13	Vacuum Breaker (Lav. Div.)



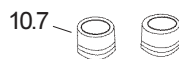
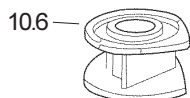
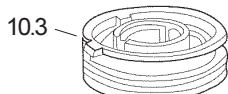
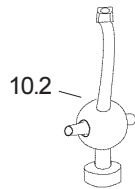
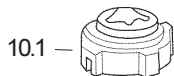
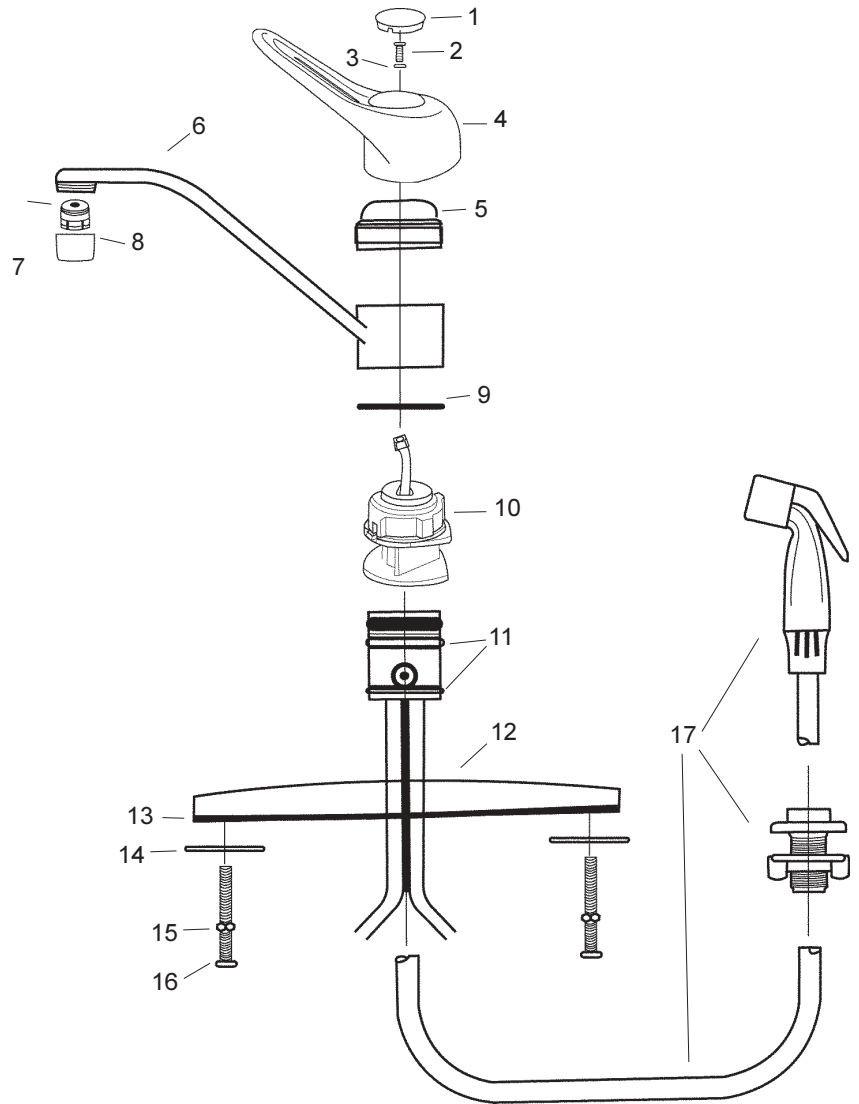
Pop Up Assembly For Lavatory Faucet Only

Key	Part No.	Description
17	140-35	Lift Rod and Knob Assembly, Upper
18	140-32	Screw, Lift Rod
19	140-31	Lift Rod Assembly, Lower
20	140-38	Ball Rod Clip
21	140-33	Ball Rod Assembly
22	140-39	Ball Rod Nut
23	140-40	Ball Rod Washer
24	140-28	Stopper
25	140-27 C	P.O. Spud (For C.O. Spud specify 140-26C)
26	140-36	Mack Washer
27	140-37	Locknut, 1-1/4"
28	140-30	Pop Up Body



Single Handle Kitchen Faucets 8" Centers

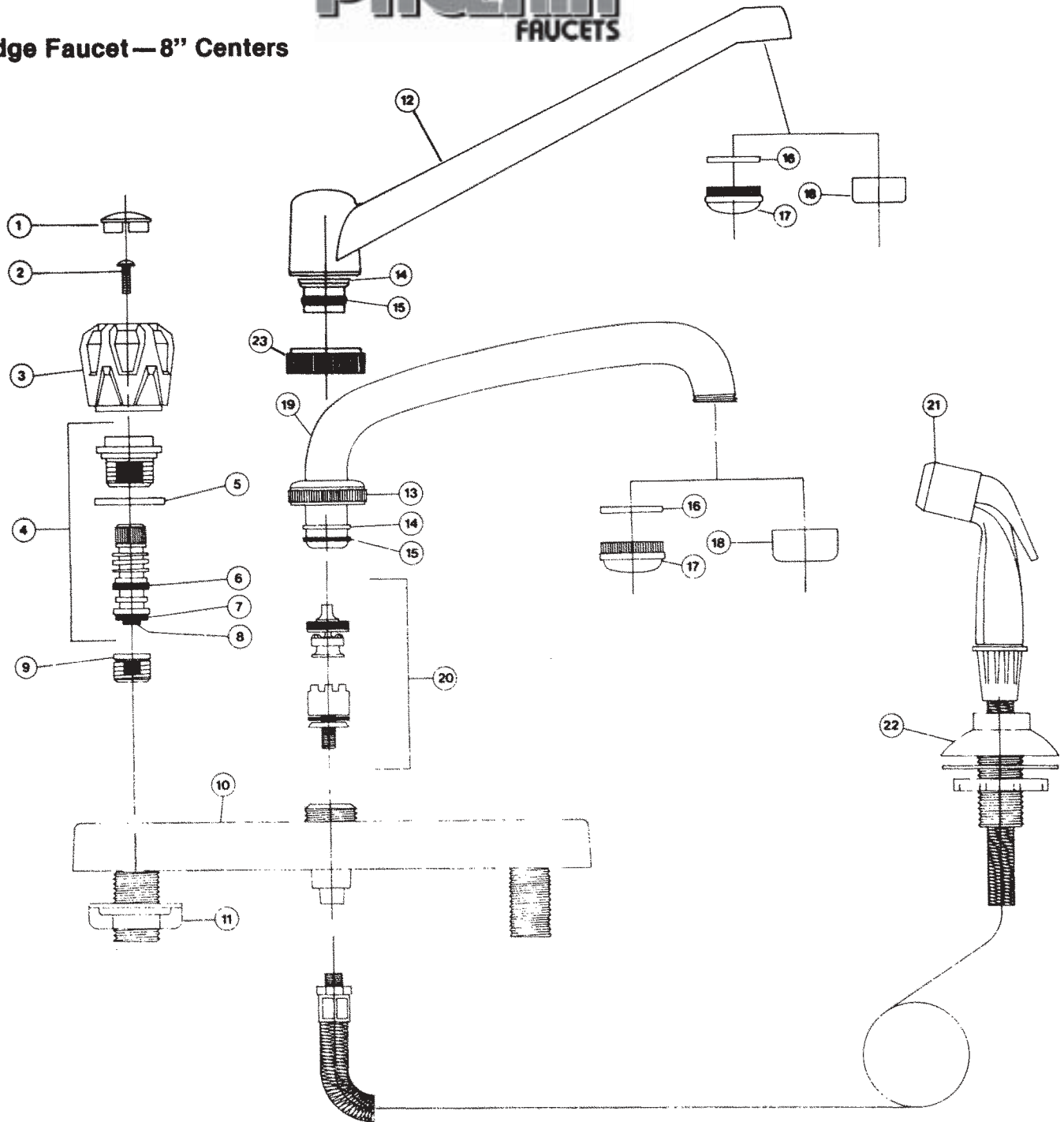
Key	Part No.	Description
1	N1201-16	Handle Button
2	N1201-2H	Handle Screw
3	N1201-3	Lock Washer
4	1103-9C	Handle
5	1201-11C	Hold Down Cap
6	1103-7-8C	Spout with spray
6a	1101-7-8C	Spout less spray
7	1103-23	Diverter
8	50-19C	Aerator
9	1101-7-3	Friction Washer
10	6-1201-5-0	Cartridge Kit
11	1201-14-36	Spout hub O-ring
12	1102-12C	Shield
13	1102-15	Bottom Plate
14	1201-18	Washer
15	1201-11	Nut
16	1201-7-2	Screw
17	151-22-0	Side Spray ass'y



Cartridge Service Part List

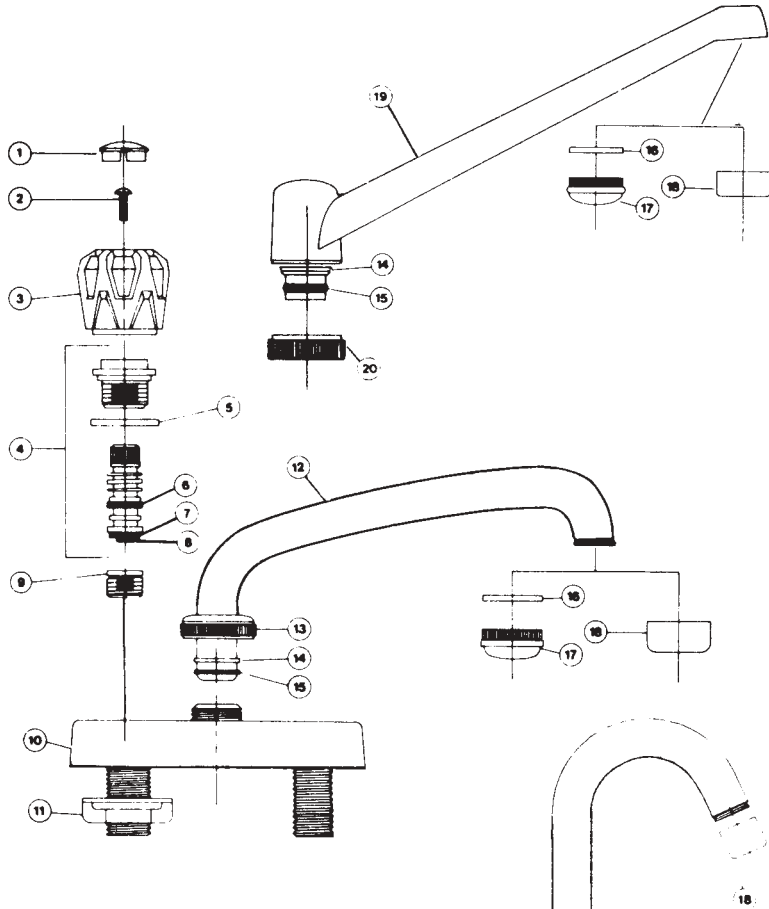
Key	Part No.	Description
10.1	N1201-4-5	Ball Cap
10.2	N1201-4-0	Ball Lever
10.3	N1201-4-2	Ball Seat
10.4	48-7-6	O-ring
10.5	42-5-6	O-ring
10.6	1201-5-3	Bonnet Bottom
10.7	N1201-5-2	Seat Washer
10.8	1201-3-4	Spring
10.9	1201-3-1	Spring Insert

Ledge Faucet—8" Centers



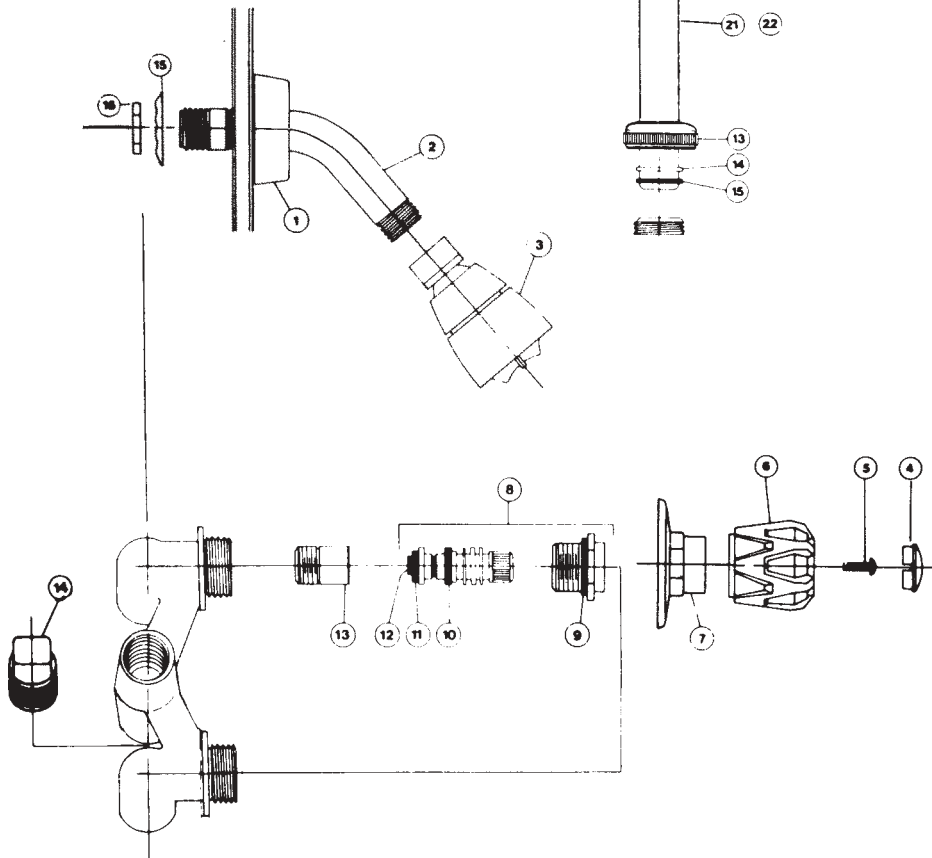
Key	Part No.	Description	Key	Part No.	Description
1	40-16	Button, Index Clear (H or C)	13	P 50-11 C	Nut, Spout, C.P.
2	40-2 H	Screw, Handle	14	50-7-21	Lock Ring, Spout
3	6-40-9-16	Handle, Clear (H or C) with Button and Screw	15	50-7-6	"O" Ring, Spout
4	41-5-0	Stem and Bonnet Assembly	16	50-13-3	End Trim Washer
5	40-3-1	Washer, Bonnet	17	6-50-13-0	End Trim Assembly, C.P.
6	40-6	"O" Ring, Stem	18	50-19 C	Aerator
7	40-3-2	Washer, Seat	19	50-78-0	Spout, 8" Tubular, C.P.
8	40-2 S	Screw, Seat Washer	20	150-23	Diverter Valve, Upper
9	40-1	Renu Seat		150-24	Diverter Valve, Lower
10	50-12 PC	Shield	21	150-22	Hose and Spray (For Plastic Body specify 151-22)
11	40-11	Locknut, 1/2" Plastic	22	150-25	Hose Holder
12	52-78-0	Spout, 8" Decorative, C.P.	23	P 52-11	Nut, Spout, C.P.

Ledge and Bar Faucets—4" Centers

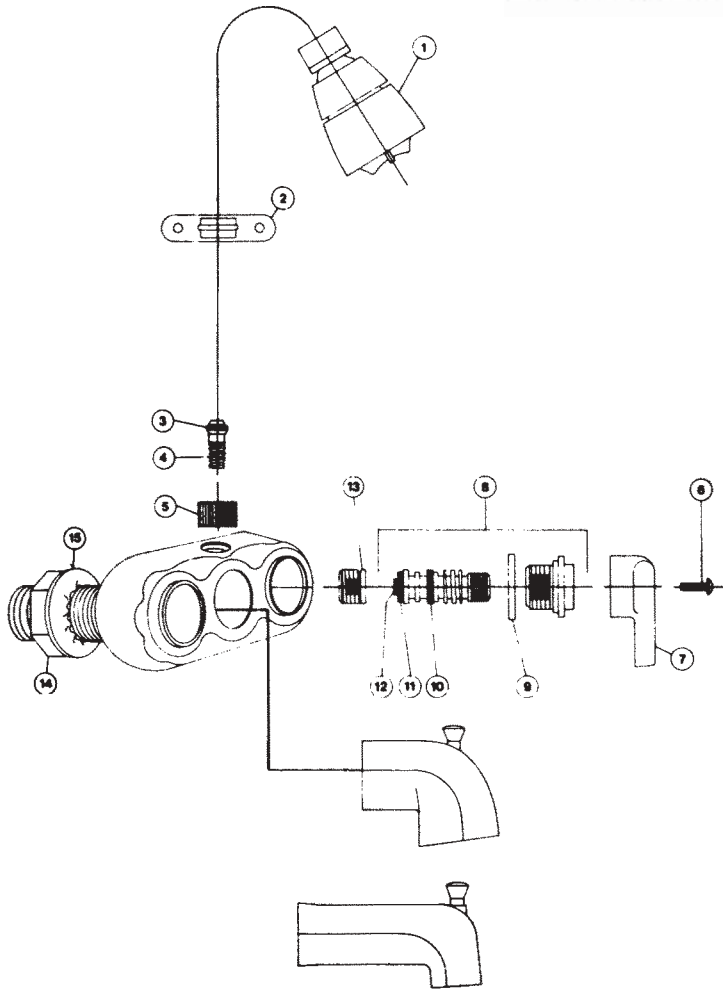


Key	Part No.	Description
1	40-16	Button, Index Clear (H or C)
2	40-2 H	Screw, Handle
3	6-40-9-16	Handle, Clear (H or C) with Button and Screw
4	41-5-0	Stem and Bonnet Assembly
5	40-3-1	Washer, Bonnet
6	40-6	"O" Ring, Stem
7	40-3-2	Washer, Seat
8	40-2 S	Screw, Seat Washer
9	40-1	Renu Seat
10	54-12 PC	Shield
11	40-11	Locknut, 1/2" Plastic
12	50-78-0	Spout, 8" Tubular, C.P.
13	P 50-11 C	Nut, Spout, C.P.
14	50-7-21 P	Lock Ring, Spout
15	50-7-6	"O" Ring, Spout
16	50-13-3	End Trim Washer
17	6-50-13-0	End Trim Assembly
18	50-19 C	Aerator
19	52-78-0	Spout, 8" Decorative, C.P.
20	P 52-11 C	Nut, Spout, C.P.
21	56-76-0	Bar Spout, 6"
22	56-79-0	Bar Spout, 9"

30 Shower Valve—3-3/8" Centers

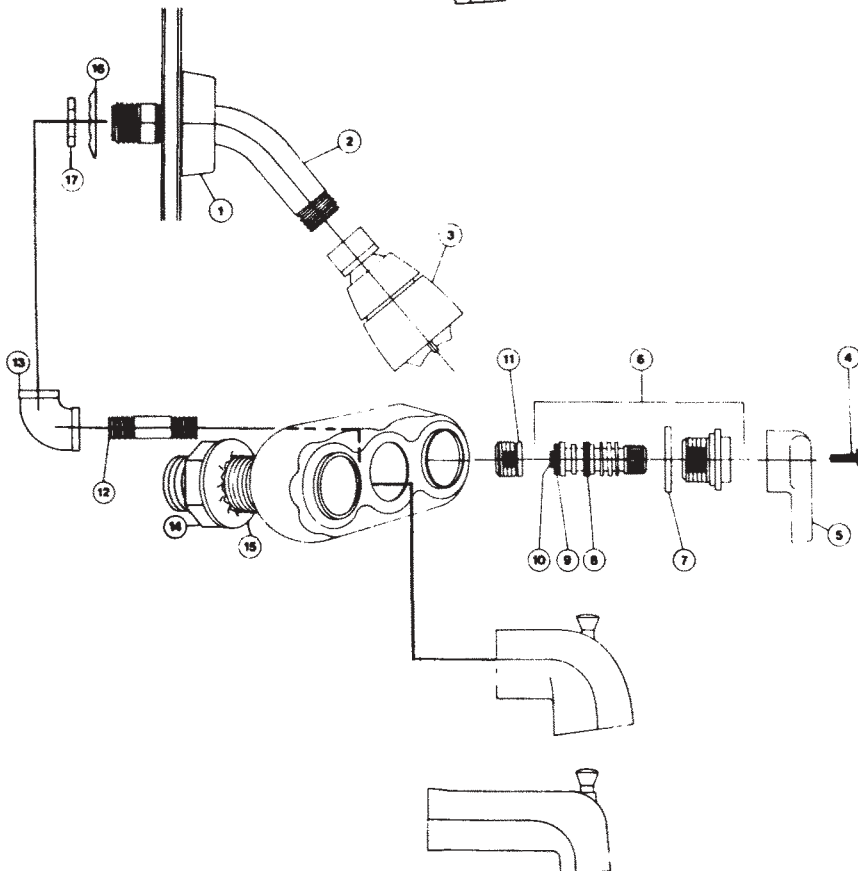


Key	Part No.	Description
1	60-10-8C	Flange, Shower Arm, C.P.
2	30-10 C	Shower Arm, C.P.
3	34-1/2"	Showerhead, 1/2"
4	40-16	Button, Index, Clear (H or C)
5	40-2 H	Screw, Handle
6	6-40-9-16	Handle, Clear (H or C) with Button and Screw
7	30-8 C	Flange, Wall
8	61-5-0	Stem and Bonnet Assembly
9	60-5-6	"O" Ring, Bonnet
10	40-6	"O" Ring, Stem
11	40-3-2	Washer, Seat
12	40-2 S	Screw, Seat Washer
13	30-1	Renu Seat
14	30-2	1/2" Plug
15	40-18	Metal Crimp Washer 1/2"
16	40-11-1	Locknut, Zamak 1/2"



3512 and 3712 Exposed Diverter— 3-3/8" Centers

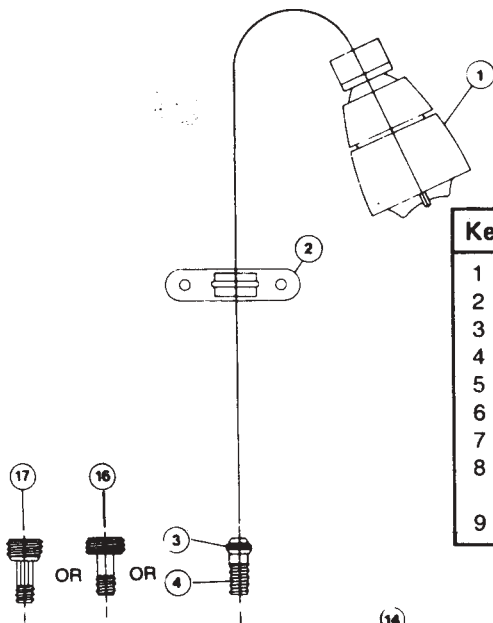
Key	Part No.	Description
1	34-3/8"	Showerhead, 3/8"
2	35-21	Riser Bracket, C.P.
3	35-6	"O" Ring, Riser Spud
4	45-13	Riser Spud, C.P.
5	45-15	Riser Spud Nut
6	40-2 H	Screw, Handle
7	6-35-9	Lever Handle (H or C)
8	40-5-0	Stem and Bonnet Assembly (RH or LH)
9	40-3-1	Washer, Bonnet
10	40-6	"O" Ring, Stem
11	40-3-2	Washer
12	40-2 S	Screw, Seat Washer
13	40-1	Renu Seat
14	35-11	Locknut, Metal 3/4"
15	35-18	Crowsfoot Washer 3/4"



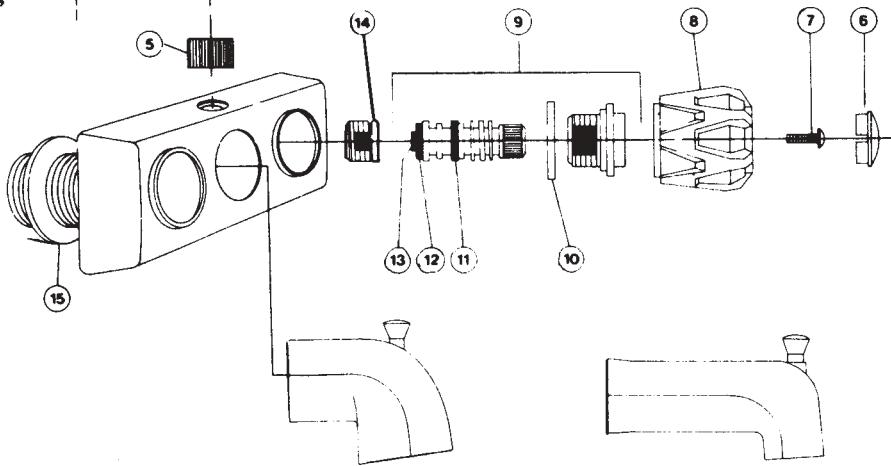
3612 and 3812 Concealed Diverter— 3-3/8" Centers

Key	Part No.	Description
1	60-10-8 C	Flange, Shower Arm, C.P.
2	60-10 C	Shower Arm, C.P.
3	34-1/2"	Showerhead, 1/2"
4	40-2 H	Screw, Handle
5	6-35-9	Lever Handle (H or C)
6	40-5-0	Stem and Bonnet Assembly (RH or LH)
7	40-3-1	Washer, Bonnet
8	40-6	"O" Ring, Stem
9	40-3-2	Washer, Seat
10	40-2 S	Screw, Seat Washer
11	40-1	Renu Seat
12	36-21	Nipple, 1/4" x 2"
13	36-22	Reducing ell, 3/8" x 1/4"
14	35-11	Locknut, Metal 3/4"
15	35-18	Crowsfoot Washer 3/4"
16	40-18	Metal Crimp Washer 1/2"
17	40-11-1	Locknut, Zamak 1/2"

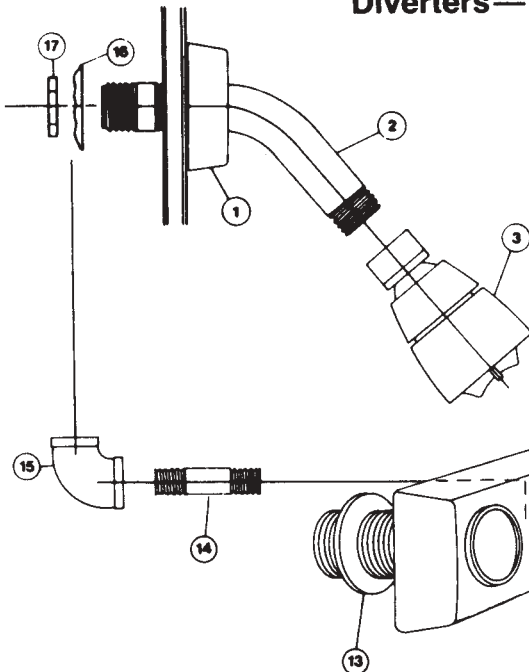
4512, 4712 and P4702 Exposed Diverters—4" Centers



Key	Part No.	Description	Key	Part No.	Description
1	34-3/8	Showerhead, 3/8"	10	40-3-1	Washer, Bonnet
2	35-21	Riser Bracket, C.P.	11	40-6	"O" Ring, Stem
3	35-6	"O" Ring, Riser Spud	12	40-3-2	Washer
4	45-13	Riser Spud, C.P.	13	40-2 S	Screw, Seat Washer
5	45-15	Riser Spud Nut	14	40-1	Renu Seat (Brass Underbody)
6	40-16	Button, Index, Clear (H or C)	15	40-11	Locknut, Plastic 1/2"
7	40-2 H	Screw, Handle	16	46-13	"D" Spud (Celcon Underbody)
8	6-40-9-16	Handle, Clear (H or C) with Button and Screw	17	35-13	"D" Spud (Brass Underbody)
9	41-5-0	Stem and Bonnet Assembly		412-13	Vacuum Breaker

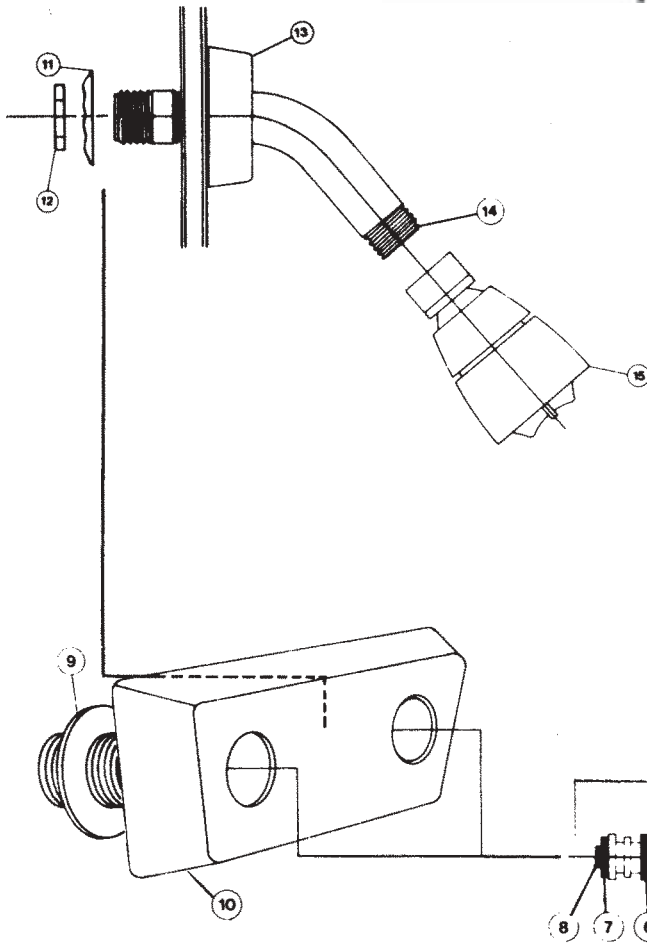


4612, 4812 and P4802 Concealed Diverters—4" Centers



Key	Part No.	Description
1	60-10-8 C	Flange, Shower Arm, C.P.
2	60-10 C	Shower Arm, C.P.
3	34-1/2"	Showerhead, 1/2"
4	40-16	Button, Index, Clear (H or C)
5	40-2 H	Screw, Handle
6	6-40-9-16	Handle, Clear (H or C) with Button and Screw
7	41-5-0	Stem and Bonnet Assembly
8	40-3-1	Washer, Bonnet
9	40-6	"O" Ring, Stem
10	40-3-2	Washer, Seat
11	40-2 S	Screw, Seat Washer
12	40-1	Renu Seat (Brass Underbody)
13	40-11	Locknut, Plastic 1/2"
14	36-21	Nipple, 1/4" x 2"
15	36-22	Reducing Ell, 3/8" x 1/4"
16	40-18	Metal Crimp Washer 1/2"
17	40-11-1	Locknut, Zamak 1/2"

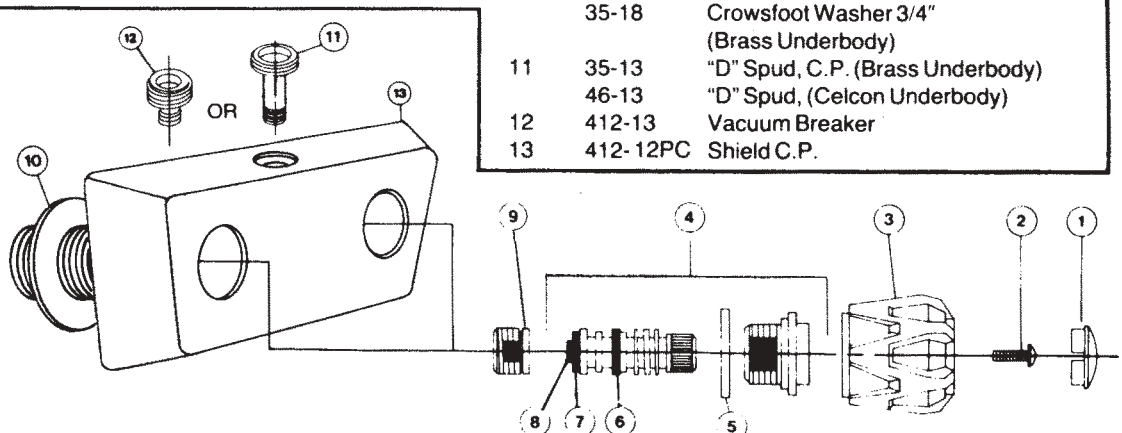
P1402 Shower Valve—4" Centers



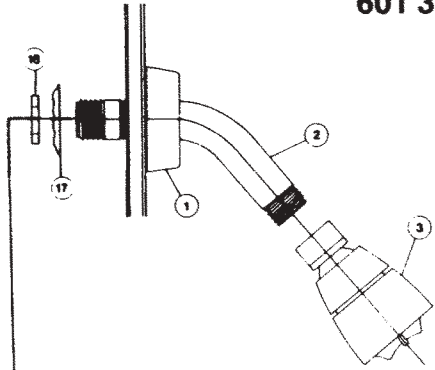
Key	Part No.	Description
1	40-16	Button, Index, Clear (H or C)
2	40-2 H	Screw, Handle
3	6-40-9-16	Handle, Clear (H or C) with Button and Screw
4	41-5-0	Stem and Bonnet Assembly
5	40-3-1	Washer, Bonnet
6	40-6	"O" Ring, Stem
7	40-3-2	Washer, Seat
8	40-2 S	Screw, Seat Washer
9	40-11	Locknut, 1/2" Plastic
10	1402-12PC	Shield, C.P.
11	40-18	Metal Crimp Washer 1/2"
12	40-11-1	Locknut, Zamak 1/2"
13	60-10-8 C	Flange, Shower Arm, C.P.
14	60-10 C	Shower Arm, C.P.
15	34-1/2"	Showerhead, 1/2"

412V, 412D and P402 Exposed Shower Fitting—4" Centers

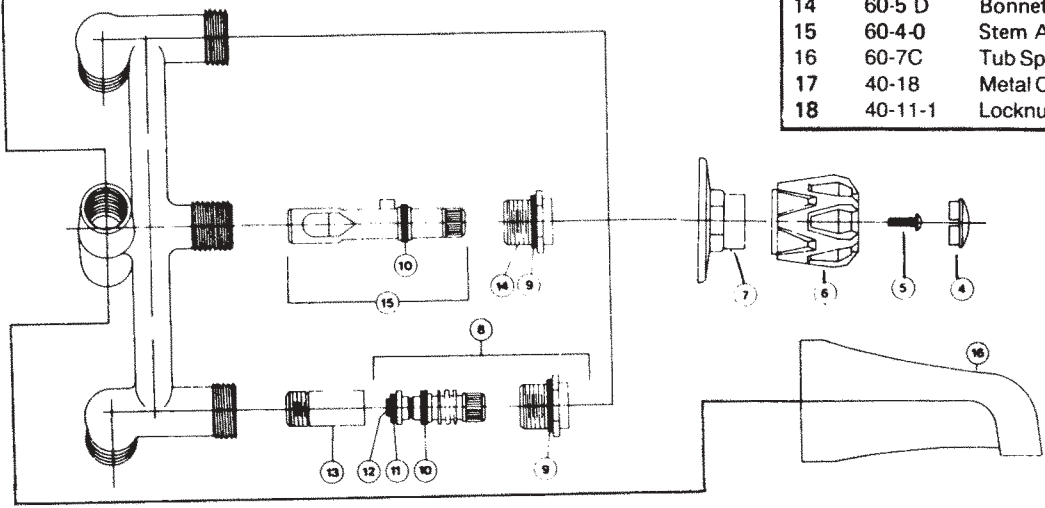
Key	Part No.	Description	Key	Part No.	Description
1	40-16	Button, Index, Clear (H or C)	6	40-6	"O" Ring, Stem
2	40-2 H	Screw, Handle	7	40-3-2	Washer, Seat
3	6-40-9-16	Handle, Clear (H or C) with Button and Screw	8	40-2 S	Screw, Seat Washer
4	41-5-0	Stem and Bonnet Assembly	9	40-1	Renu Seat (Brass Underbody)
5	40-3-1	Washer, Bonnet	10	40-11	Locknut, Plastic 1/2" (P402) or Locknut Metal 3/4" and Crowsfoot Washer 3/4" (Brass Underbody)
			11	35-13	"D" Spud, C.P. (Brass Underbody)
				46-13	"D" Spud, (Celcon Underbody)
			12	412-13	Vacuum Breaker
			13	412-12PC	Shield C.P.



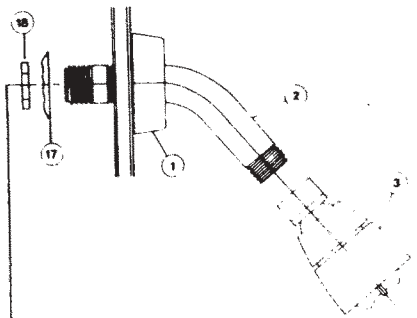
601 3 Valve Diverter— 8" Centers



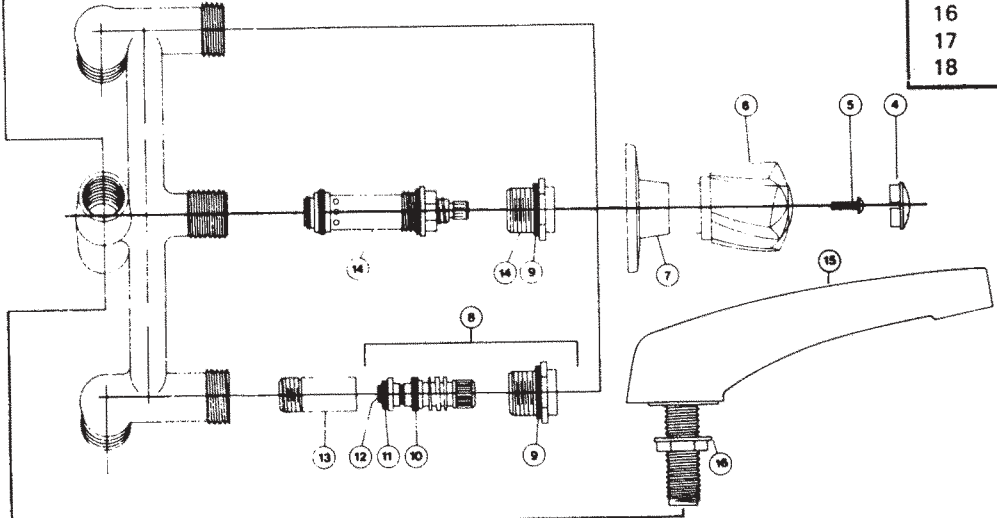
Key	Part No.	Description
1	60-10-8 C	Flange, Shower Arm, C.P.
2	60-10 C	Shower Arm, C.P.
3	34-1/2"	Showerhead, 1/2"
4	40-16	Button, Index, Clear (H, C or A)
5	40-2 H	Screw, Handle
6	6-40-9-16	Handle, Clear (H, C or A) with Button and Screw
7	60-8 C	Flange, Wall, C.P.
8	61-5-0	Stem and Bonnet Assembly
9	60-5-6	"O" Ring, Bonnet
10	40-6	"O" Ring, Stem
11	40-3-2	Washer, Seat
12	40-2 S	Screw, Seat Washer
13	60-1	Renu Seat
14	60-5 D	Bonnet, Diverter
15	60-4-0	Stem Assembly, Diverter
16	60-7C	Tub Spout
17	40-18	Metal Crimp Washer 1/2"
18	40-11-1	Locknut, Zamak 1/2"



639 Garden Tub Diverter

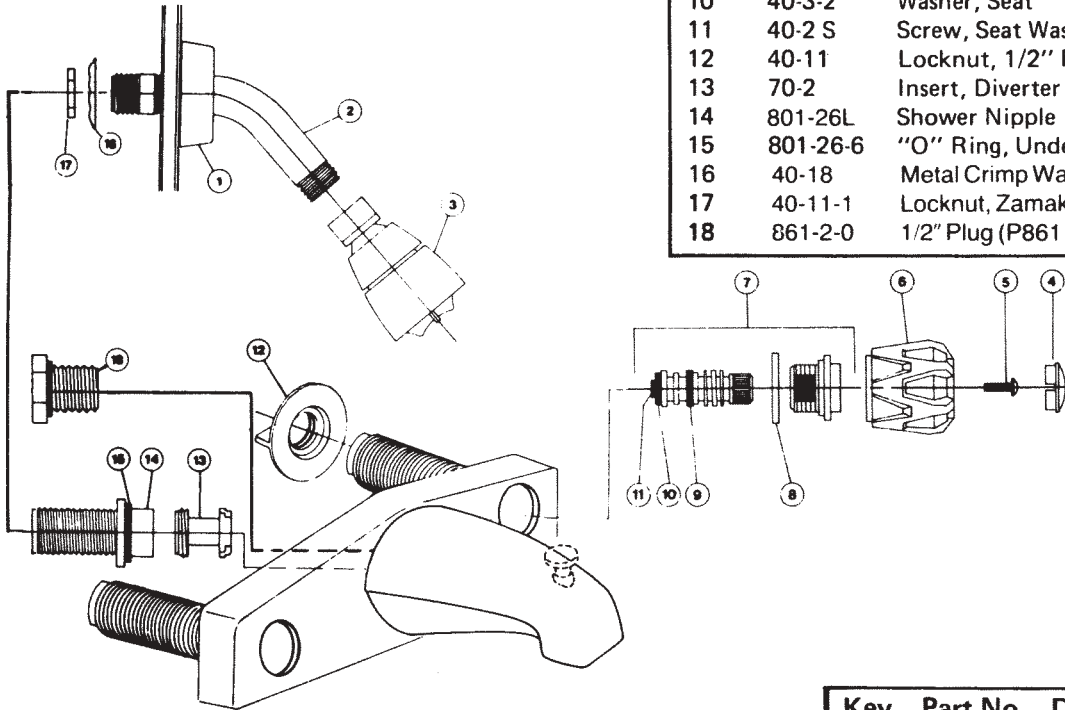


Key	Part No.	Description	Key	Part No.	Description
1	60-10-8 C	Flange, Shower Arm, C.P.	7	38-8 C	Flange, C.P.
2	60-10 C	Shower Arm, C.P.	8	61-5-0	Stem and Bonnet Assembly
3	34-1/2"	Showerhead, 1/2"	9	60-5-6	"O" Ring, Bonnet
4	38-16	Button, Index, Clear (H, C or A)	10	40-6	"O" Ring, Stem
5	40-2 H	Screw, Handle	11	40-3-2	Washer, Seat
6	6-38-9-16	Handle, Clear (H, C or A) with Button and Screw	12	40-2 S	Screw, Seat Washer
			13	60-1	Renu Seat
			14	639-5-0	Diverter Assembly
			15	39-7 C	Spout, Garden Tub
			16	39-11	Flanged Locknut, Metal 1/2"
			17	40-18	Metal Crimp Washer 1/2"
			18	40-11-1	Locknut, Zamak 1/2"

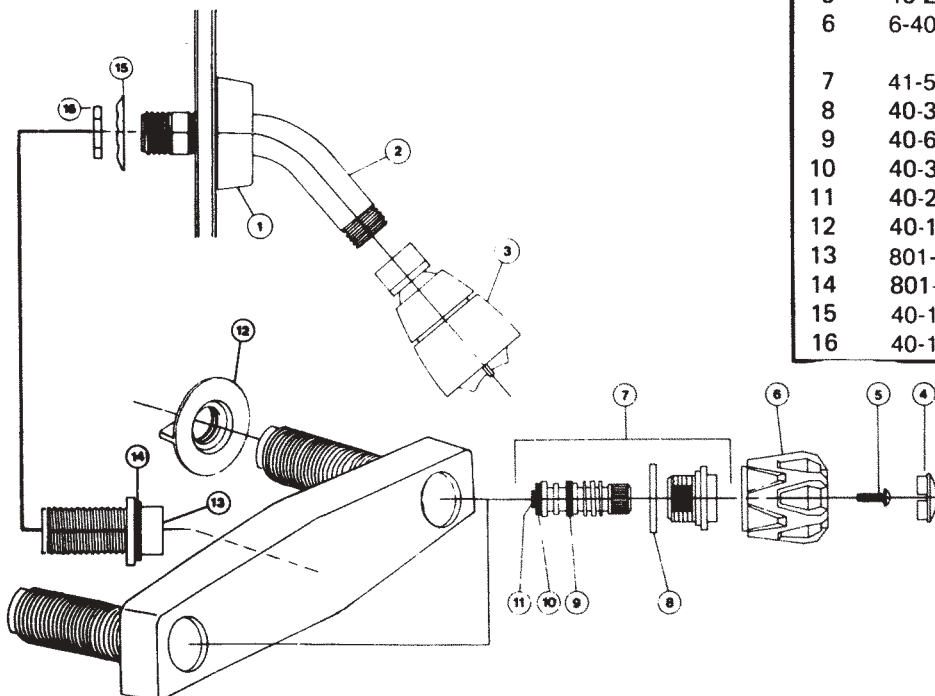


P 801 Exposed 2 Valve Diverter and P 861 Tub Filler—8" Centers

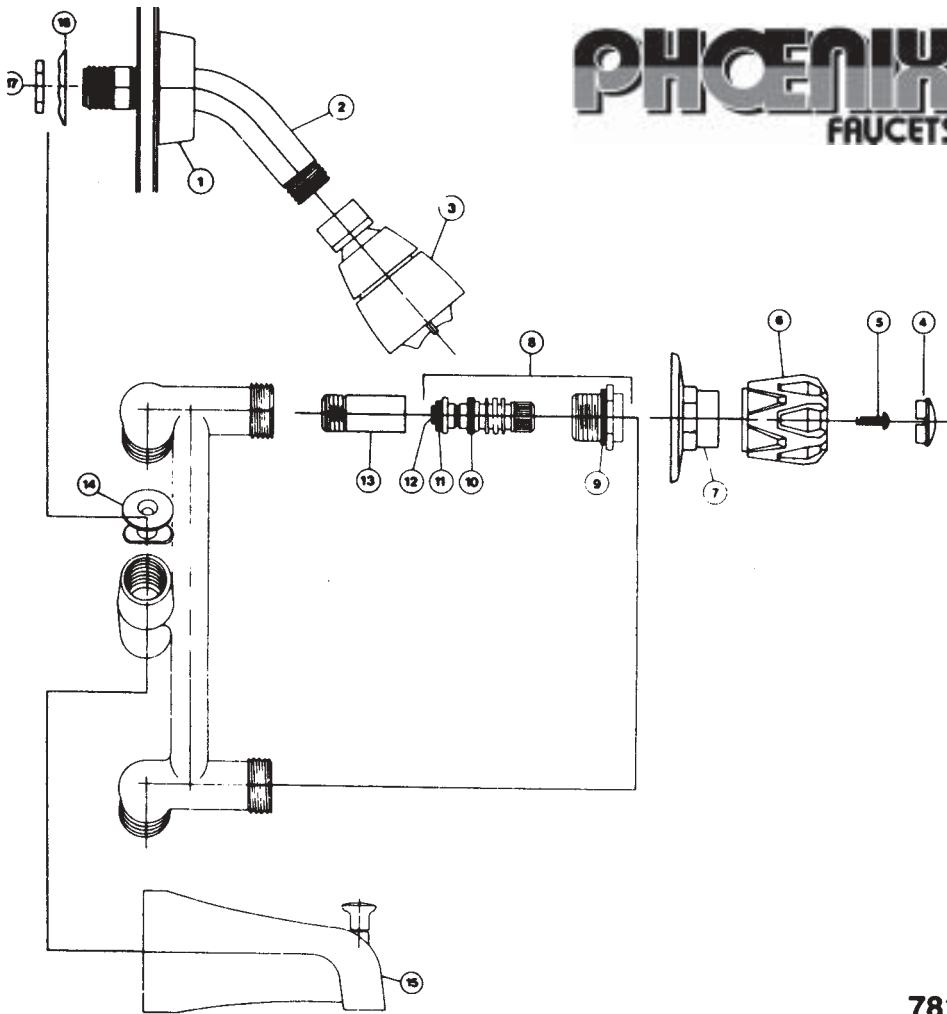
Key	Part No.	Description	Key	Part No.	Description
1	60-10-8 C	Flange, Shower Arm (P801 Only)	6	6-40-9-16	Handle, Clear (H or C) with Button and Screw
2	60-10 C	Shower Arm (P801 Only)	7	41-5-0	Stem and Bonnet Assembly
3	34-1/2"	Showerhead, 1/2" (P801 Only)	8	40-3-1	Washer, Bonnet
4	40-16	Button, Index, Clear (H or C)	9	40-6	"O" Ring, Stem
5	40-2 H	Screw, Handle	10	40-3-2	Washer, Seat
			11	40-2 S	Screw, Seat Washer
			12	40-11	Locknut, 1/2" Plastic
			13	70-2	Insert, Diverter (P801 Only)
			14	801-26L	Shower Nipple (P801 Only)
			15	801-26-6	"O" Ring, Underbody (P801 Only)
			16	40-18	Metal Crimp Washer 1/2", (P801 Only)
			17	40-11-1	Locknut, Zamak 1/2" (P801 Only)
			18	861-2-0	1/2" Plug (P861 Only)



P 881 Exposed Shower Valve—8" Centers



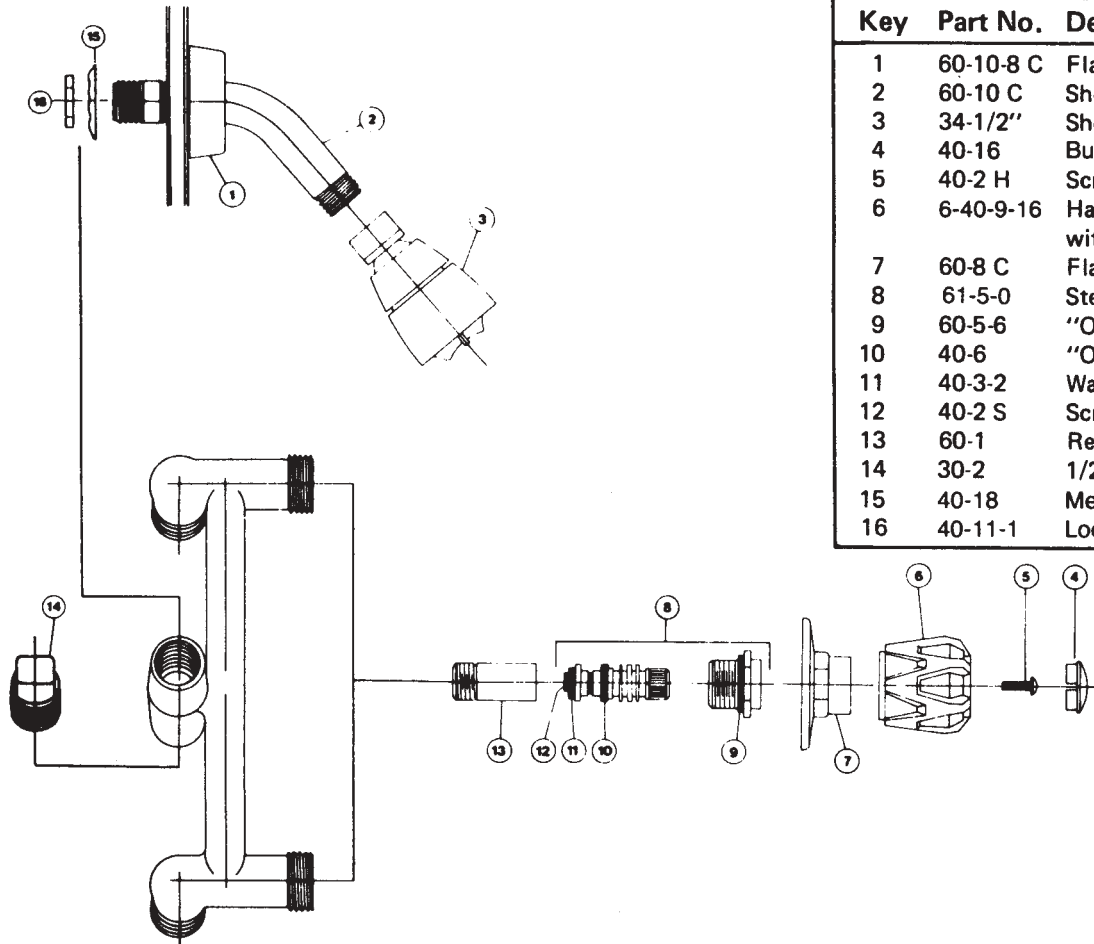
Key	Part No.	Description
1	60-10-8 C	Flange, Shower Arm
2	60-10 C	Shower Arm
3	34-1/2"	Showerhead, 1/2"
4	40-16	Button, Index, Clear (H or C)
5	40-2 H	Screw, Handle
6	6-40-9-16	Handle, Clear (H or C) with Button and Screw
7	41-5-0	Stem and Bonnet Assembly
8	40-3-1	Washer, Bonnet
9	40-6	"O" Ring, Stem
10	40-3-2	Washer, Seat
11	40-2 S	Screw, Seat Washer
12	40-11	Locknut, 1/2" Plastic
13	801-26 L	Shower Nipple
14	801-26-6	"O" Ring, Underbody
15	40-18	Metal Crimp Washer 1/2"
16	40-11-1	Locknut, Zamak 1/2"



701 2 Valve Diverter—8" Centers

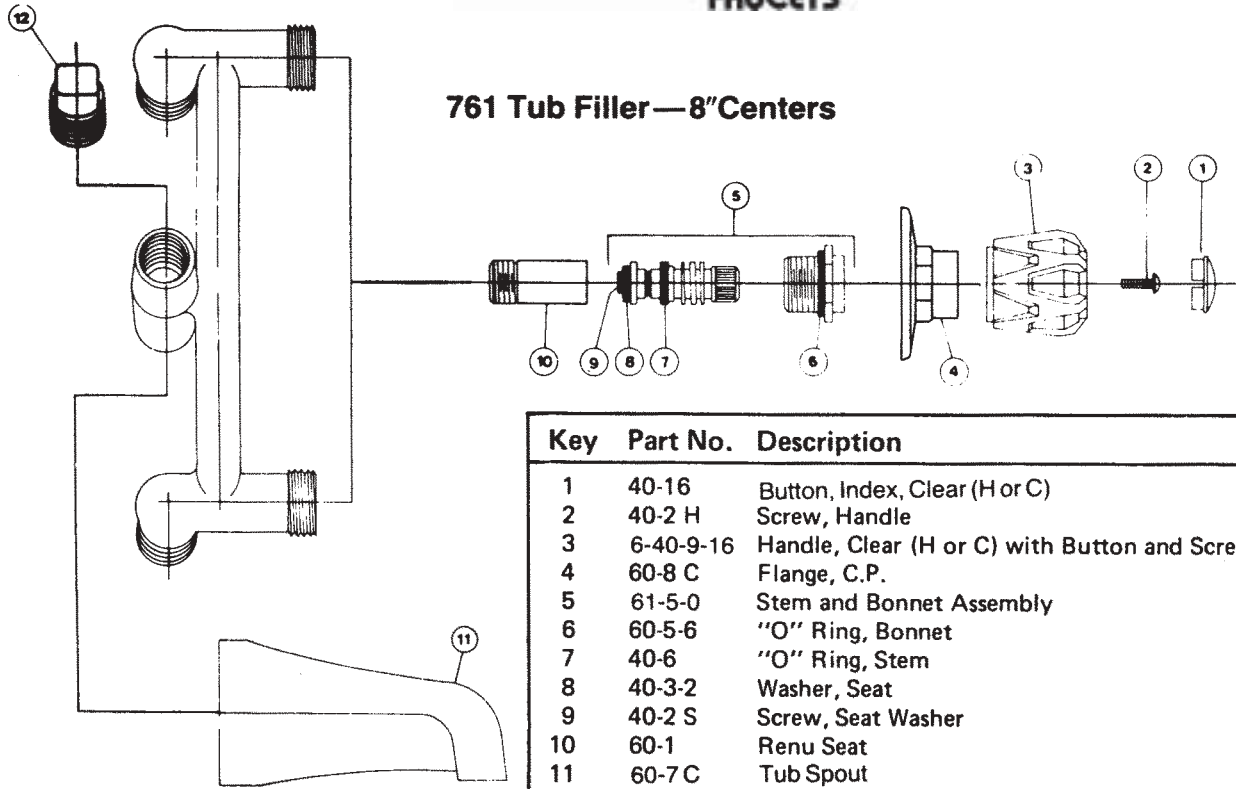
Key	Part No.	Description
1	60-10-8 C	Flange, Shower Arm, C.P.
2	60-10 C	Shower Arm, C.P.
3	34-1/2"	Showerhead, 1/2"
4	40-16	Button, Index, Clear (H or C)
5	40-2 H	Screw, Handle
6	6-40-9-16	Handle, Clear (H or C) with Button and Screw
7	60-8 C	Flange, Wall, C.P.
8	61-5-0	Stem and Bonnet Assembly
9	60-5-6	"O" Ring, Bonnet
10	40-6	"O" Ring, Stem
11	40-3-2	Washer, Seat
12	40-2 S	Screw, Seat Washer
13	60-1	Renu Seat
14	70-2	Diverter Insert
15	70-7 C	Spout, Automatic Diverter
16	40-18	Metal Crimp Washer 1/2"
17	40-11-1	Locknut, Zamak 1/2"

781 Shower Valve—8" Centers

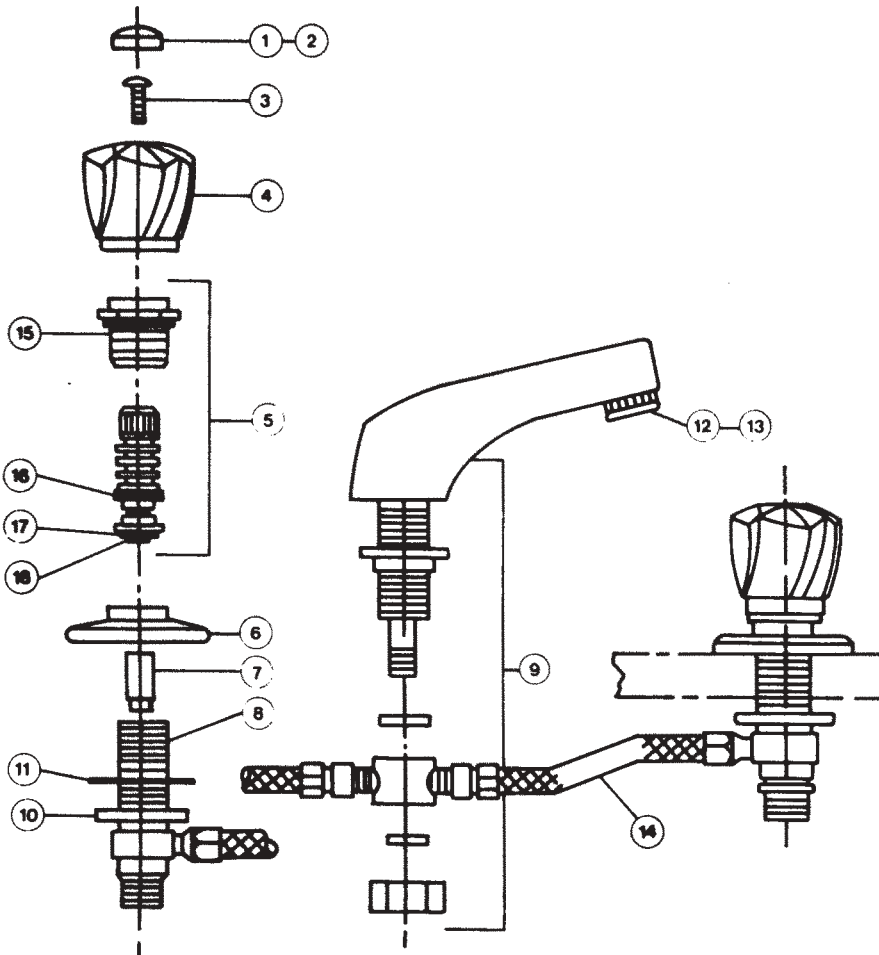


Key	Part No.	Description
1	60-10-8 C	Flange, Shower Arm, C.P.
2	60-10 C	Shower Arm, C.P.
3	34-1/2"	Showerhead, 1/2"
4	40-16	Button, Index, Clear (H or C)
5	40-2 H	Screw, Handle
6	6-40-9-16	Handle, Clear (H or C) with Button and Screw
7	60-8 C	Flange, Wall, C.P.
8	61-5-0	Stem and Bonnet Assembly
9	60-5-6	"O" Ring, Bonnet
10	40-6	"O" Ring, Stem
11	40-3-2	Washer, Seat
12	40-2 S	Screw, Seat Washer
13	60-1	Renu Seat
14	30-2	1/2" Plug
15	40-18	Metal Crimp Washer 1/2"
16	40-11-1	Locknut, Zamak 1/2"

761 Tub Filler—8"Centers

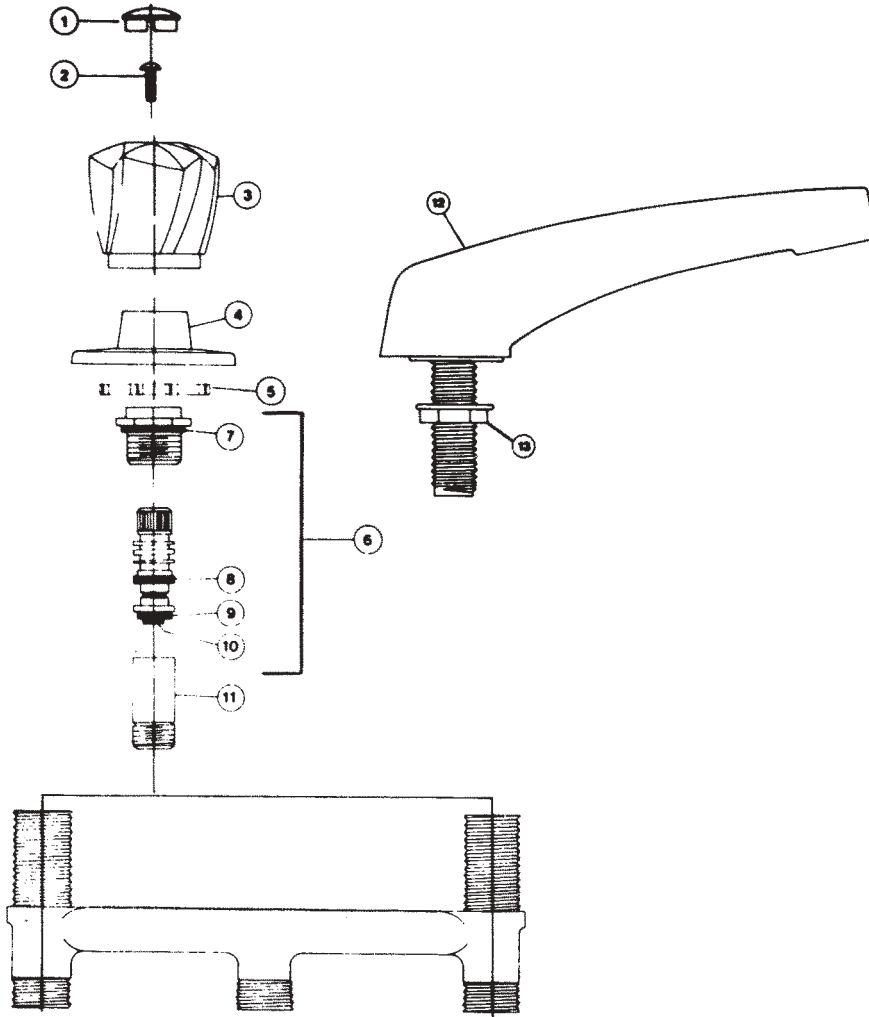


Key	Part No.	Description
1	40-16	Button, Index, Clear (H or C)
2	40-2 H	Screw, Handle
3	6-40-9-16	Handle, Clear (H or C) with Button and Screw
4	60-8 C	Flange, C.P.
5	61-5-0	Stem and Bonnet Assembly
6	60-5-6	"O" Ring, Bonnet
7	40-6	"O" Ring, Stem
8	40-3-2	Washer, Seat
9	40-2 S	Screw, Seat Washer
10	60-1	Renu Seat
11	60-7 C	Tub Spout
12	30-2	1/2" Plug



38 Garden Tub Filler

KEY	PART NO.	DESCRIPTION
1	38-16 H	Button, Index, Clear (H)
2	38-16 C	Button, Index, Clear (C)
3	40-2 H	Handle Screw, Clear
4	6-38-9-16	Handle, Clear (H or C) with Button and Screw
5	61-5-0	Stem and Bonnet Assembly
6	38-8 C	Flange
7	38-1	Renu Seat
8	38-14	End Valve
9	38-7 C	Spout and Tee
10	38-15	Assembly
11	38-11	Locknut
12	38-3	Locknut Washer
13	6-40-13-0	End Trim Assembly
14	50-13-3	End Trim Washer
15	38-22	Hose
16	60-6	"O" Ring, Bonnet
17	40-6	"O" Ring, Stem
18	40-3-2	Washer, Seat
19	40-2 S	Screw, Seat Washer



39 Garden Tub Filler—8" Centers

Key	Part No.	Description
1	38-16	Button, Index, Clear (H or C)
2	40-2 H	Screw, Handle
3	6-38-9-16	Handle, Large, Clear (H or C) with Button and Screw
4	38-8 C	Flange, C.P.
5	38-11	Locknut, 1"-20
6	61-5-0	Stem and Bonnet Assembly
7	60-5-6	"O" Ring, Bonnet
8	40-6	"O" Ring, Stem
9	40-3-2	Washer, Seat
10	40-2 S	Screw, Seat Washer
11	38-1	Renu Seat
12	39-7 C	Spout, Garden Tub
13	39-11	Flanged Locknut, Metal 1/2"

Phoenix Products, Inc.
583 Miller Rd.
Avon Lake, OH 44012
1.440.933.8100
1.800.222.6041
Fax: 1.440.933.6252
www.Phoenixfaucets.com