

# SPECIFICATIONS

**PHOENIX**  
583 Miller Rd.  
Avon Lake, OH 44012  
440.933.8100 / faucets.com

**FAUCETS**

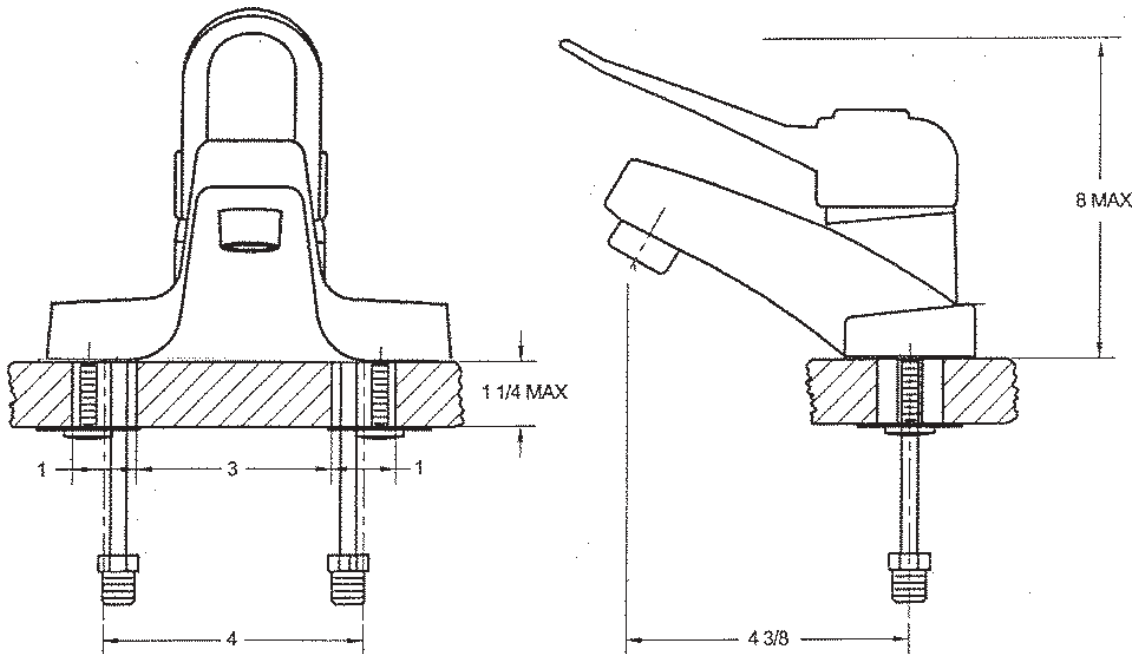
- ◆ 4" Center, deck mount
- ◆ Brass underbody
- ◆ Metal loop handle - ADA compliant
- ◆ Washerless cartridge system
- ◆ 1/2" IPS male connections

Single Handle Lavatory  
1204 (chrome)  
1274 (white)



Designed and manufactured to comply with the requirements of ANSI A112.18.1M and all specifications therein. IAPMO listed. Maximum flow rate of 2.0 GPM for aerators and 2.5 GPM for shower heads at 80 PSI.

# DIMENSIONS





583 Miller Rd.  
Avon Lake, OH 44012  
440.933.8100 / faucets.com

**FAUCETS**

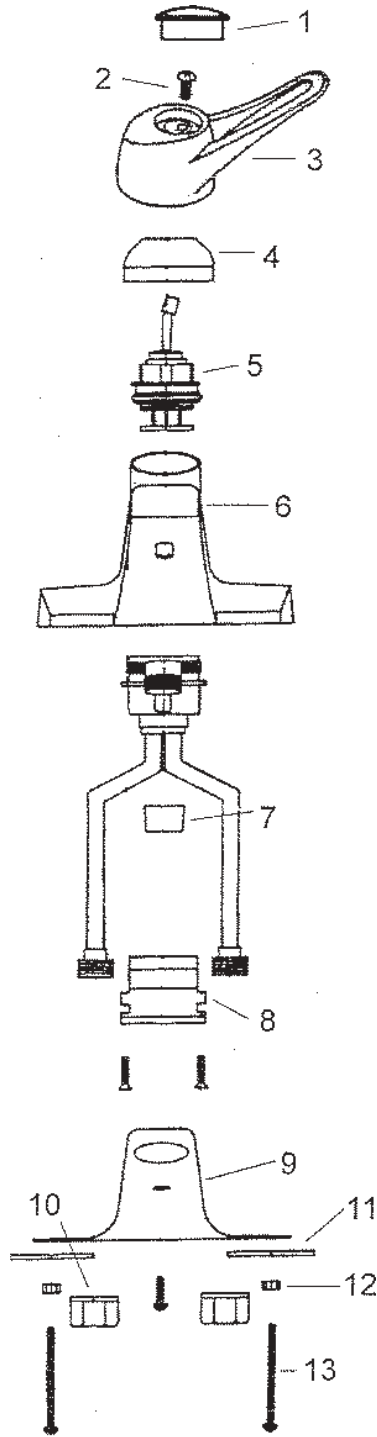
**MODEL NUMBERS:**

1204

1274

**PARTS LIST:**

1. BUTTON	N1201-16
2. SCREW	N1201-2H
3. HANDLE	1103-9C
4. CENTER NUT	1202-11C
5. CARTRIDGE	6-1201-5-0
6. SHIELD	1201-12C
7. AERATOR	50-19C
8. CENTERPIECE	1201-2-1
9. BOTTOM PLATE	1201-15
10. TAILPIECE NUT	40-11-4
11. WASHER	1201-18
12. NUT	1201-11
13. SCREW	1201-7-2



**EXPLODED VIEW**