

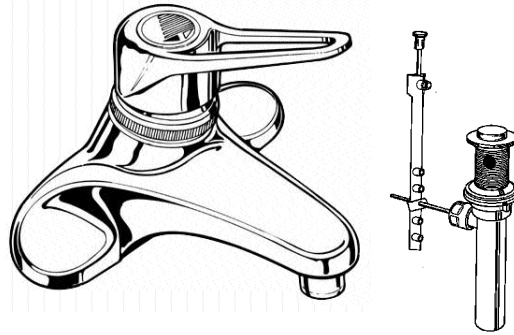
Specifications

Freedom™ FAUCETS

- *4" Centers: Deck mount
 - *Brass underbody
 - *Chrome plated loop handle-ADA compliant
 - *Washerless cartridge system
 - *1/2" IPS copper connections
 - *Pop-up- P.O. type, brass drain flange, ABS tailpiece
- Made in the USA

SINGLE HANDLE LAVATORY

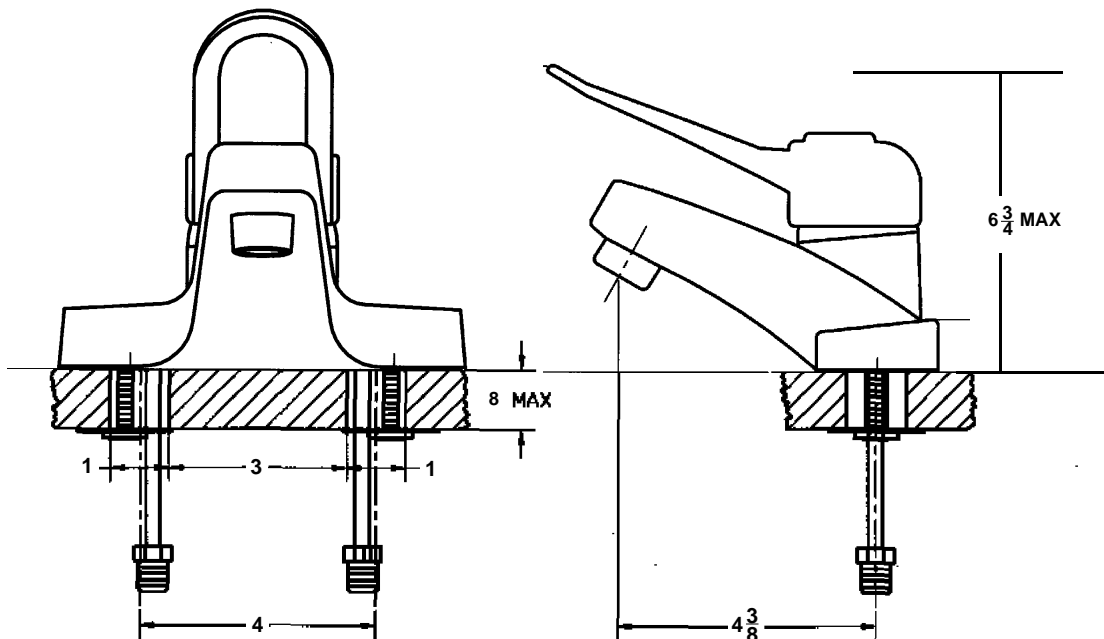
1205A-01



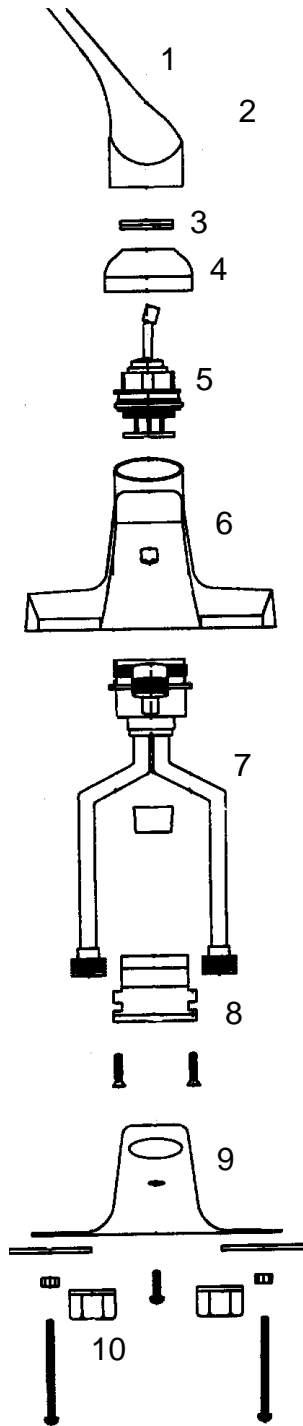
1204A-01 LESS POP-UP 1206A-01 ALL METAL POP-UP

*Designed and manufactured to comply with the requirements of ANSI A112.18.1M and all specifications therein. IAPMO listed. Maximum flow rate of 2.0GPM for aerators and 2.5GPM for shower heads at 80PSI.

Dimensions



Exploded View



Parts List

| | |
|-------------------|-------------|
| 1. HANDLE | 1103-9C |
| 2. SCREW | N1201-2H |
| 3. ADJUSTING RING | 1201-11-1 |
| 4. CENTER NUT | 1201-11C |
| 5. CARTRIDGE | |
| 6. SHIELD | 1201-12C |
| 7. AERATOR | 50-19C |
| 8. CENTERPIECE | 7-1201-14-3 |
| 9. BOTTOM PLATE | 1201-15 |
| 10. TAILPIECE NUT | 40-11-4 |

Freedom Faucets
a division of
Phoenix Products Inc.
583 Miller Rd.
Avon Lake, Oh. 44012
800-222-6041

Last Revised: 5/16/2000