

Specifications

Freedom™ FAUCETS

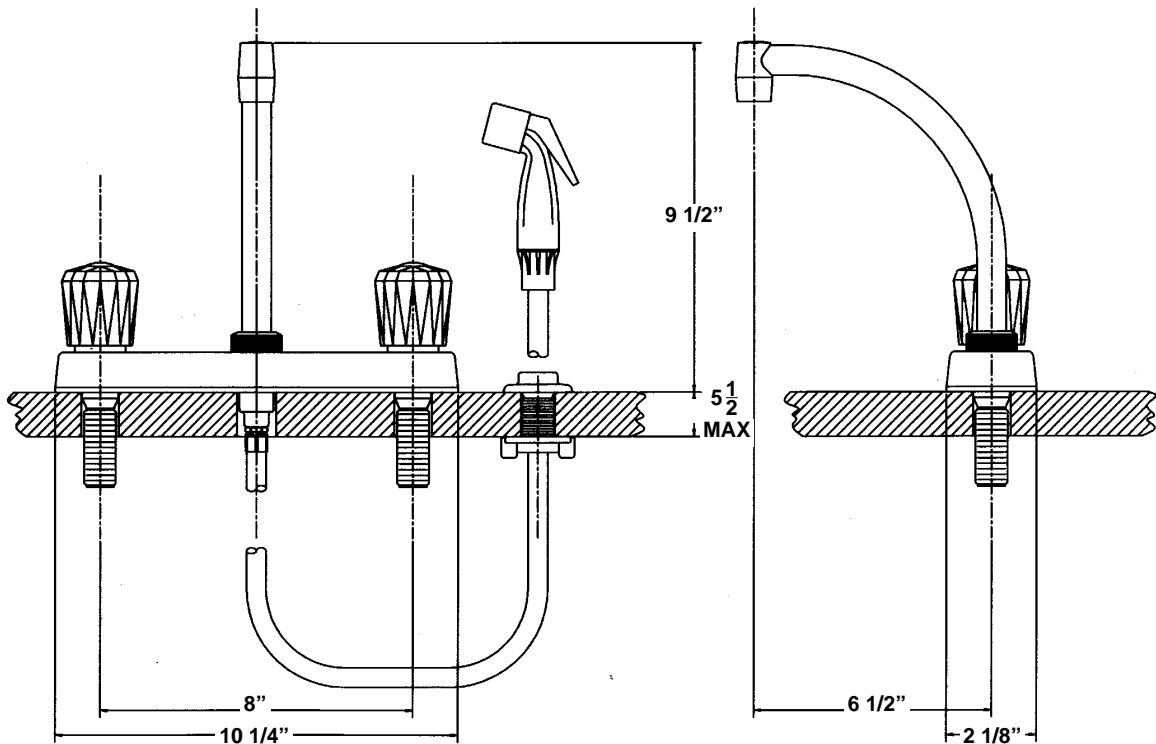
- *8" Centers - deck mount
- *Flow control aerator
- *Crystal clear acrylic handles
- *Tubular brass spout
- *ABS shield

Made in the USA



*Designed and manufactured to comply with the requirements of ANSI A12.18.1M and all specifications therein. IAPMO listed. Maximum flow rate of 2.0GPM for aerators and 2.5GPM for shower heads at 80PSI.

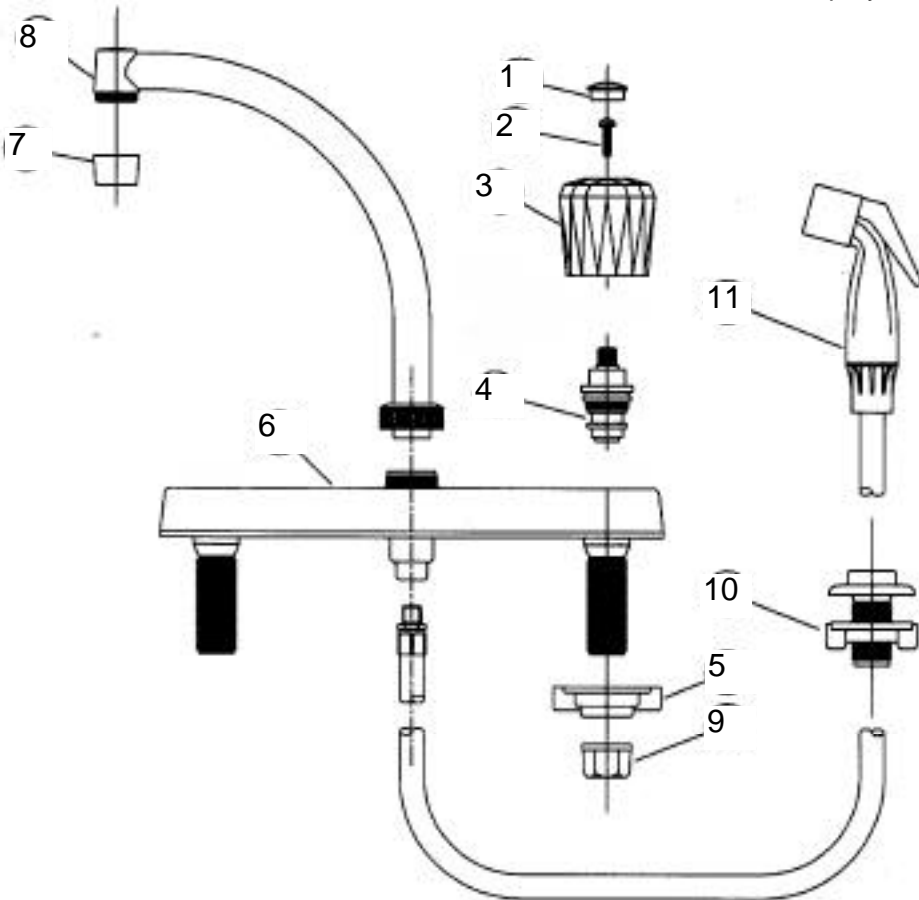
Dimensions



Exploded View

Parts List

- | | |
|------------------------|------------------|
| 1. Button, hot
cold | 41-16H
41-16C |
| 2. Screw | 60-4-2 |
| 3. Handle | 41-9 |
| 4. 1/4 Turn cartridge | P22 |
| 5. Locknut | 40-11 |
| 6. Shield | 2100-12C |
| 7. Aerator | 50-19C |
| 8. Spout | 51-78A-0 |
| 9. Tailpiece nut | 40-11-4 |
| 10. Hose holder | 153-25 |
| 11. Hose & spray | 150-22 |



Freedom Faucets
a division of
Phoenix Products Inc.
583 Miller Rd.
Avon Lake, Oh. 44012
800-222-6041

Last Revised: 5/16/2000